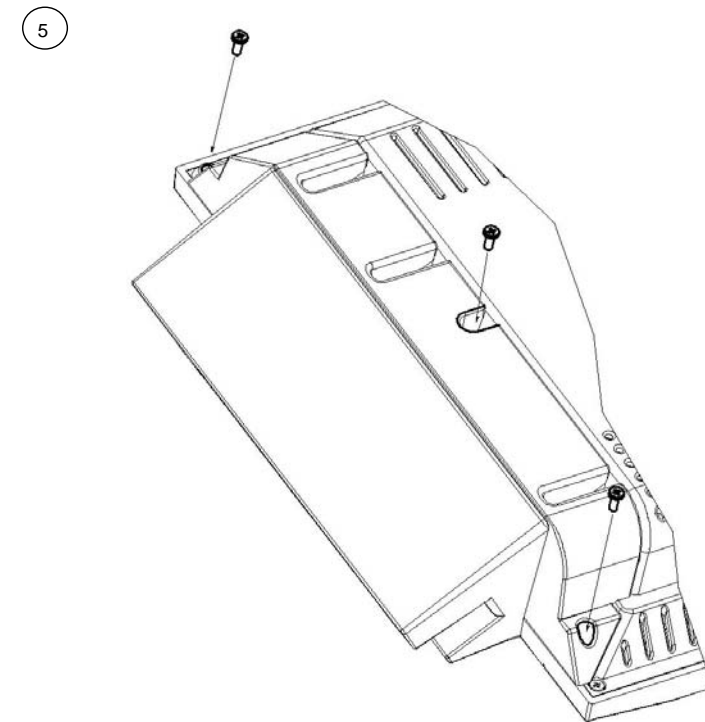
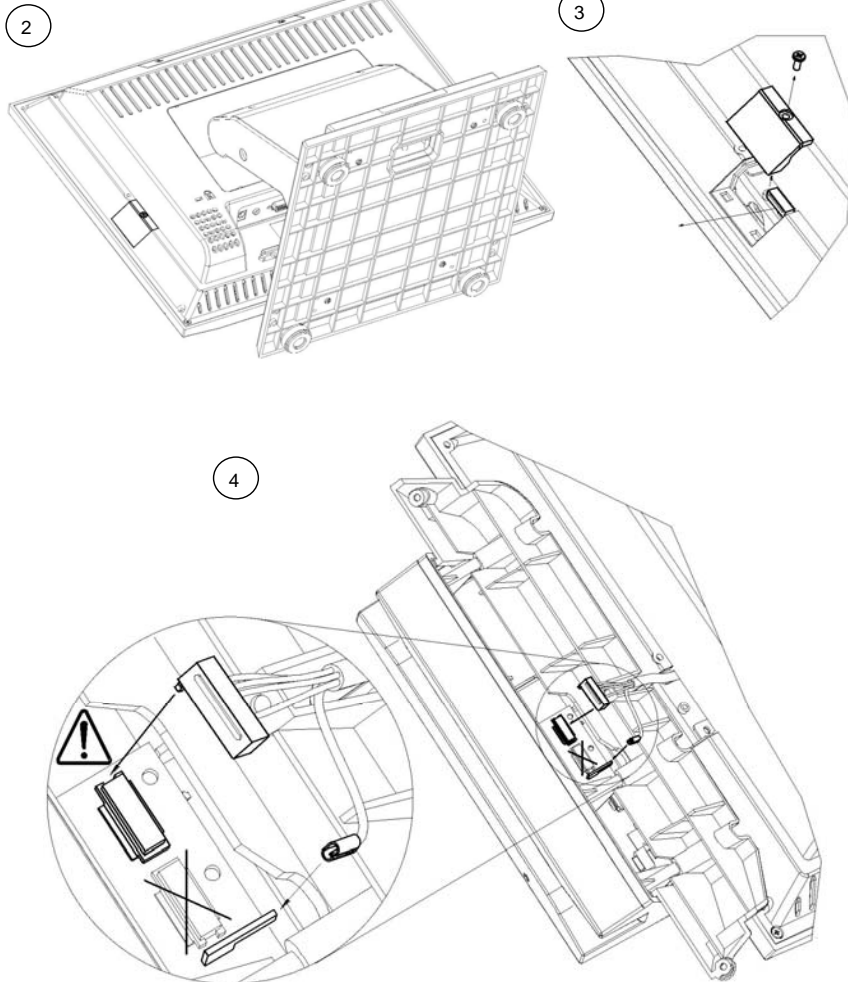


1 **Driver and Configuration**

- This MSR module has same drivers and configuration possibilities as our MCI USB keyboard series.
- The factory default configuration is ready for OPOS usage. You can change this to your demands using the latest WinProgrammer.
- Further information as well as the associated software can be downloaded from <http://www.prehkeytec.com> → Support → Keyboards



The materials used for this module are listed by Underwriters Laboratories (UL).
By assembling of modules to the MCI 15 touchscreen, the whole equipment is not covered by the UL-certification anymore!



ATTENTION
Observe Precautions
for Handling
**Electrostatic Sensitive
Devices**

turn page →